

ESV - EGMO Sampling Valves

Hygienic sampling valves for pharmaceutical & sanitary applications

The EGMO Sampling Valves are uniquely designed for process quality control, which often demands a stringent sampling process for the finished product and throughout the various production stages. Sampling plays a critical role in product verification.

Sampling directly from the process can be risky for the operator as well as for environment (contamination, pollution). Wherever product safety is a top priority, use ESVs to ensure stringent product quality control at every processing stage while eliminating risks in the sampling procedure.

With ESV, bacteriological samples can be taken safely taken directly from the pipeline.



ESV1



ESV2

Key Advantages:

- ✓ AISI 316L stainless-steel body and parts for maximum cleanability.
- ✓ Electro-polish finishes for corrosion resistance & reduced risk of bacterial growth.
- ✓ Available with SIP/CIP ports for sterilization
- ✓ Optimal cleaning capabilities. No dead spaces in the valve body
- ✓ One-part stem for optimum sterility
- ✓ Valve plug covered with Teflon shaft
- ✓ Viton O-ring for complete sealing
- ✓ Leak detection outlet

Product Range:

- ✓ Available in ½" - ¾" - 1"-1½" - (additional inlet/ outlet connections and sizes available per customer request)
- ✓ Available with Clamp connections.
Weld and other connections are available upon request.
- ✓ Available with stainless-steel or plastic handle
- ✓ SIP/CIP ports for sterilization are available

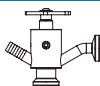
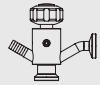
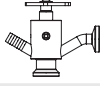
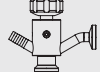


ESV Technical Data

Materials	Body: AISI 316L (1.4404) Shaft: PTFE reinforced with glass fibers/AISI 316L (1.4404)
Valve body applications	Vessels, Pipe, Clamp, Thread and Socket.
Seal	Viton
Operating Pressure	Up to 10 Bar
Operating Temperature	Sterilization temperature: 120°-130°C with dry steam (depends on product)
External Dimensions	Length 90mm (ESV1, ESV2: 72mm) Diameter 27mm (ESV1, ESV2: 28mm)
Surface Finish	Standard finish is 20 Ra μ" Mechanical Polish
Connections	Clamp ends / DIN ends/ DIN ends on request / BS (RJT) ends – upon request / IDF ends - upon request * Available with Weld end connection upon request.



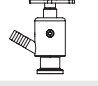


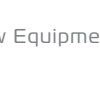

How to Order

ESV Type	Sample Valve
ESV Model	ESV1 ESV2
Dimension	½"-¾" 1" - 1 ½"
Outlet Angle	60° 90°
Handle material	Stainless-steel Plastic

ESV1

Dimension	Angle	Hand. Mat	Art. Number	Hand. Mat
½"-¾"	60°	St. St	621-00044	
1" - 1 ½"	60°	St. St	621-00064	
½"-¾"	60°	Plastic	621-00131	
1" - 1 ½"	60°	Plastic	621-00137	
½"-¾"	90°	St. St	621-00135	
1" - 1 ½"	90°	St. St	621-00136	
½"-¾"	90°	Plastic	621-00132	
1" - 1 ½"	90°	Plastic	621-00133	

ESV2

Dimension	Angle	Hand. Mat	Art. Number	Hand. Mat
½"-¾"	60°	St. St	621-00033	
1" - 1 ½"	60°	St. St	621-00049	
½"-¾"	60°	Plastic	621-00123	
1" - 1 ½"	60°	Plastic	621-00138	
½"-¾"	90°	St. St	621-00139	
1" - 1 ½"	90°	St. St	621-00085	
½"-¾"	90°	Plastic	621-00144	
1" - 1 ½"	90°	Plastic	621-00134	

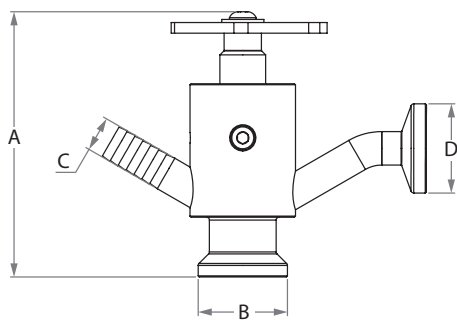
ESV1

ESV1 is used for sampling a representative quantity of a liquid in process. It is designed to ensure sterilization before and after taking a sample. ESV1 includes SIP/CIP ports for sterilization of the valve. Its failsafe design is well-suited for the pharmaceutical, biochemical, cosmetic, food and dairy industries.

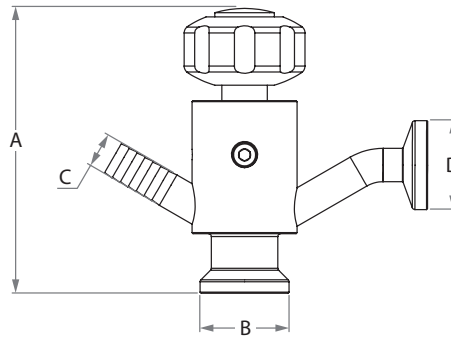
- ✓ AISI 316L stainless-steel body and parts for maximum cleanability.
- ✓ One-part stem for optimum sterility
- ✓ Leak detection outlet
- ✓ Available in 1/2" - 3/4" - 1" - 1 1/2" - (additional inlet/ outlet connections and sizes available per customer request)
- ✓ Available with stainless-steel or plastic handle



ESV1 Dimensions



ESV1 Stainless steel handle

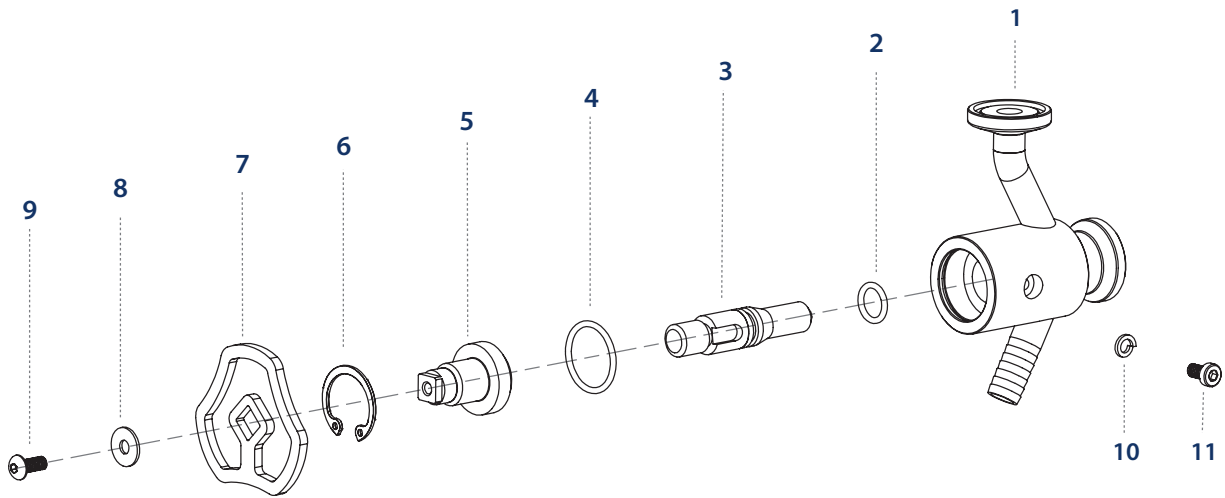


ESV1 Plastic handle

1/2"-3/4"	St. Steel handle 60°	Plastic handle 60°	St. Steel handle 90°	Plastic handle 90°
Part no.	621-00044	621-00131	621-00135	621-00132
A	75.5 mm	81. mm	75.5 mm	81.4 mm
B	Ø25.4 mm	Ø25.4 mm	Ø25.4 mm	Ø25.4 mm
C	Ø25.4 mm	Ø25.4 mm	Ø25.4 mm	Ø25.4 mm
D	Ø10 mm	Ø10 mm	Ø10 mm	Ø10 mm
Weight	0.29 kg- 0.64 lb	0.27 kg- 0.6 lb	0.29 kg- 0.64 lb	0.27 kg- 0.6 lb

1"-1 1/2"	St. Steel handle 60°	Plastic handle 60°	St. Steel handle 90°	Plastic handle 90°
Part no.	621-00064	621-00137	621-00136	621-00133
A	72 mm	81.4 mm	75.5 mm	81.4 mm
B	Ø50.5 mm	Ø50.5 mm	Ø50.5 mm	Ø50.5 mm
C	Ø25.4 mm	Ø25.4 mm	Ø25.4 mm	Ø25.4 mm
D	Ø10 mm	Ø10 mm	Ø10 mm	Ø10 mm
Weight	0.3 kg- 0.66 lb	0.29 kg- 0.64 lb	0.3 kg- 0.66 lb	0.29 kg- 0.64 lb

ESVI Components & Materials



Item no.	Description	Material
1	Valve body	AISI 316L
2	Stem seal O-Ring 2-012	Viton FDA 150° C
3	Assembling Stem	AISI 316/TFM
4	O-Ring 2-012	Viton
5	Valve plug	AISI 316L
6	Spindle lock	AISI 302
7	Handle	AISI 316L
8	Plain Washer M4-DIN 9021	St. St
9	HEX.SOC. Screw ISO7380 M4X10	St. St
10	Stopper DIN 6912 A4	St. St
11	Plain washer M4-DIN9021	St. St



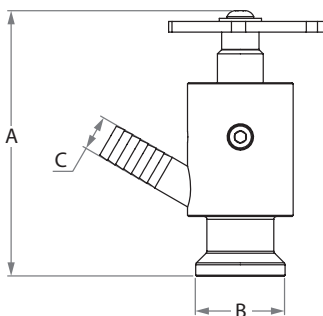
ESV2

ESV2 is used for sampling a representative quantity of a liquid in process. It is designed to ensure sterilization before and after taking a sample. Its failsafe design is well-suited for the pharmaceutical, biochemical, cosmetic, food and dairy industries.

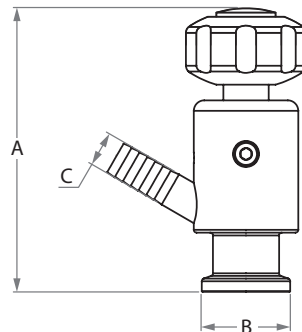
- ✓ AISI 316L stainless-steel body and parts for maximum cleanability.
- ✓ One-part stem for optimum sterility
- ✓ Leak detection outlet
- ✓ Available in 1/2" - 3/4" - 1" - 1 1/2" - (additional inlet/ outlet connections and sizes available per customer request)
- ✓ Available with stainless-steel or plastic handle



ESV2 Dimensions



ESV2 stainless steel handle

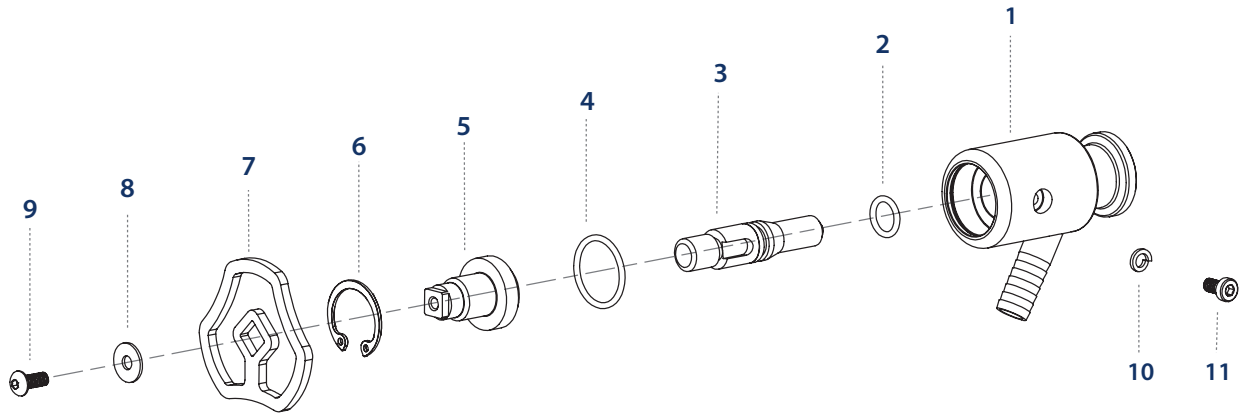


ESV2 plastic handle

1/2"-3/4"	St. Steel handle 60°	Plastic handle 60°	St. Steel handle 90°	Plastic handle 90°
Part no.	621-00033	621-00123	621-00139	621-00124
A	75.5 mm	81.4 mm	76.3 mm	81.4 mm
B	Ø25.4 mm	Ø25.4 mm	Ø25.4 mm	Ø325.4 mm
C	Ø10 mm	Ø10 mm	Ø10 mm	Ø10 mm
Weight	0.28 kg- 0.62 lb	0.26 kg- 0.57 lb	0.28 kg- 0.62 lb	0.26 kg- 0.57 lb

1"-1 1/2"	St. Steel handle 60°	Plastic handle 60°	St. Steel handle 90°	Plastic handle 90°
Part no.	621-00049	621-00138	621-00085	621-00134
A	72 mm	81.4 mm	75.5 mm	81.4 mm
B	Ø50.5 mm	Ø50.5 mm	Ø50.5 mm	Ø50.5 mm
C	Ø10 mm	Ø10 mm	Ø10 mm	Ø10 mm
Weight	0.29 kg- 0.64 lb	0.28 kg- 0.62 lb	0.29 kg- 0.64 lb	0.28 kg- 0.62 lb

ESV2 Components & Materials



Item no.	Description	Material
1	Valve body 1 &1.5"	AISI 316L
2	Steam seal O-ring 2-012	Viton FDA 150° C
3	Assembling stem	AISI 316L/TFM
4	O-ring 2-012	Viton
5	Valve plug	AISI 316L
6	Spindle lock	AISI 302
7	Handle	AISI 316L
8	Plain washer M4-DIN 9021	St. St
9	HEX.SOC. Screw ISO7380 M4X10	St. St
10	Stopper DIN6912 A4	St. St
11	Plain washer M4-DIN 9021	St. St

